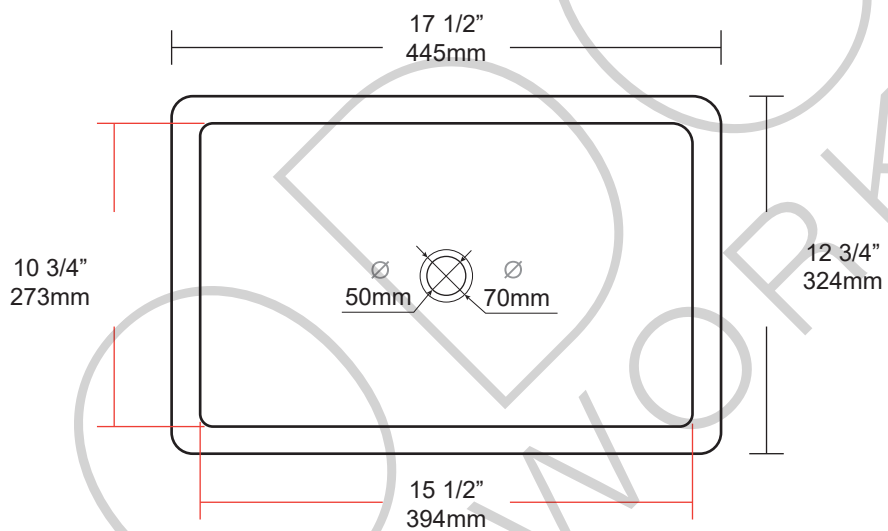
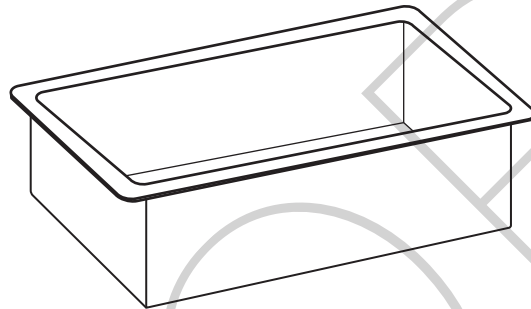


SLIM STAINLESS STEEL UNDERMOUNT SINK SPECS

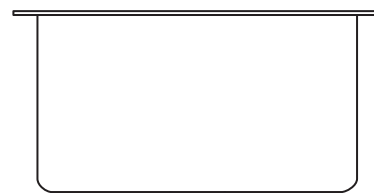
SLIM DEPTH
UNDERMOUNT SINK
HANDMADE WELDED
304 STAINLESS STEEL
ITEM NO.:1713
DIMENSION TOLERANCES: +/-5mm



TOP VIEW



FRONT VIEW



SIDE VIEW

TEODOR

1-888-807-2323 | info@teodorvanities.com