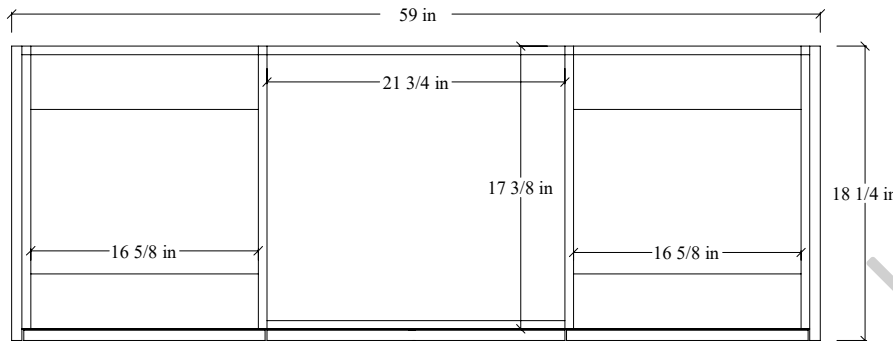
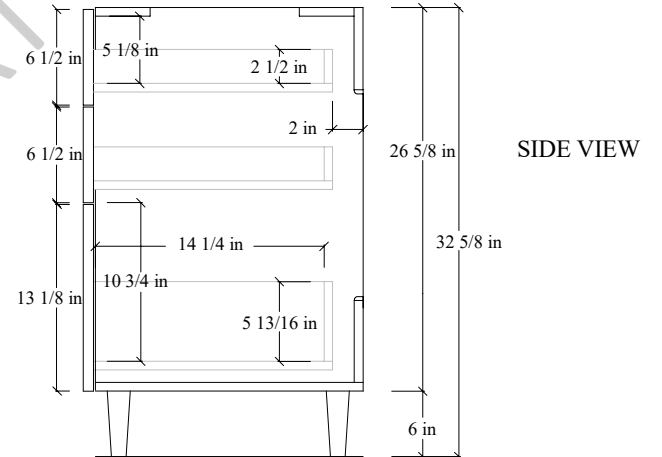
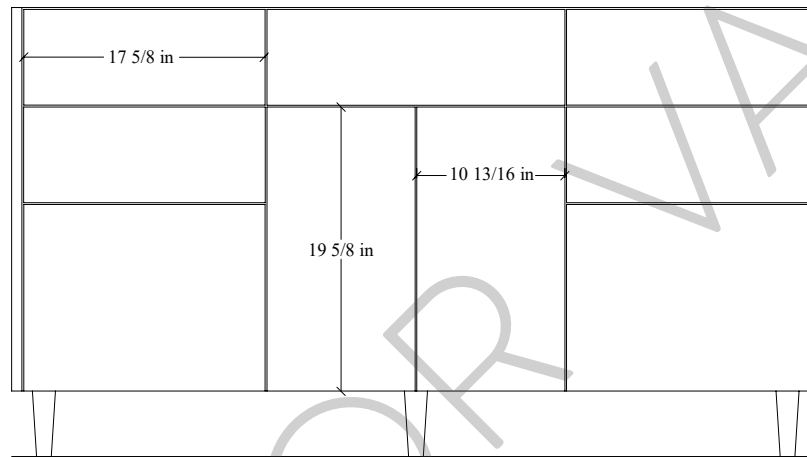


60S" Austin SLIM Free Standing Vanity

TOP VIEW



FRONT VIEW



Secure vanity to studs within 4" from side gables. →

INSIDE BACK VIEW

