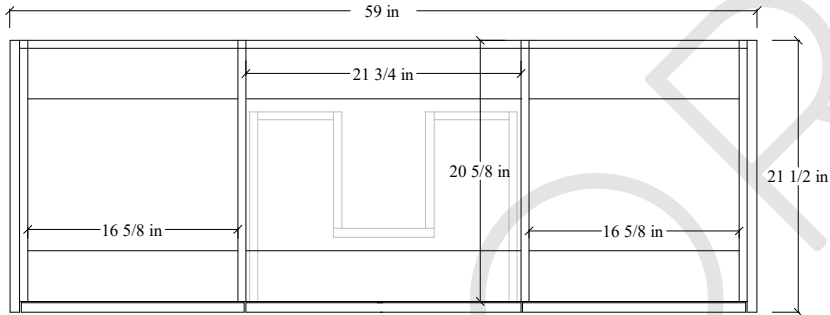
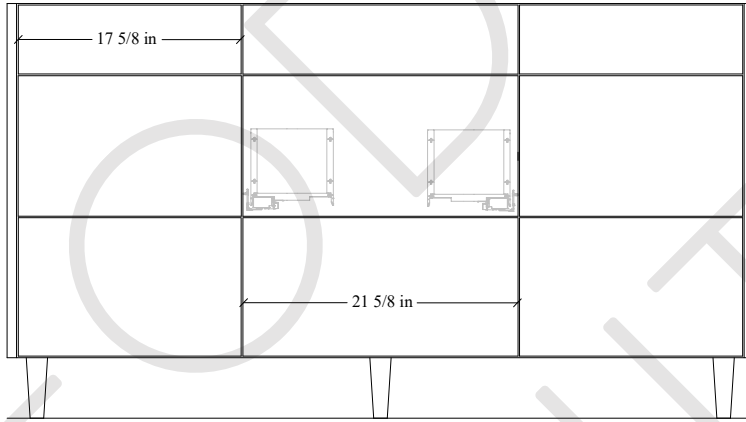


# 60" ASHER FREE STANDING VANITY SINGLE SINK

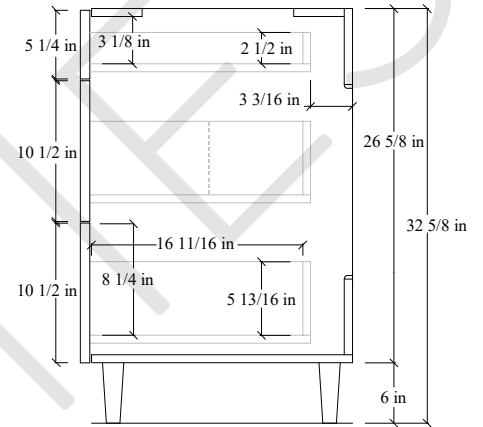
TOP VIEW



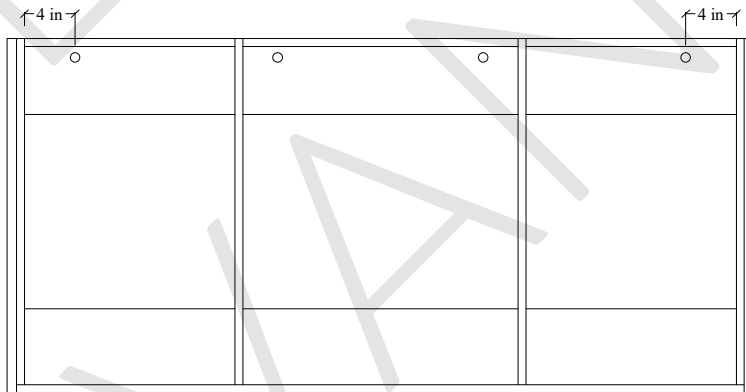
FRONT VIEW



SIDE VIEW



INSIDE BACK VIEW

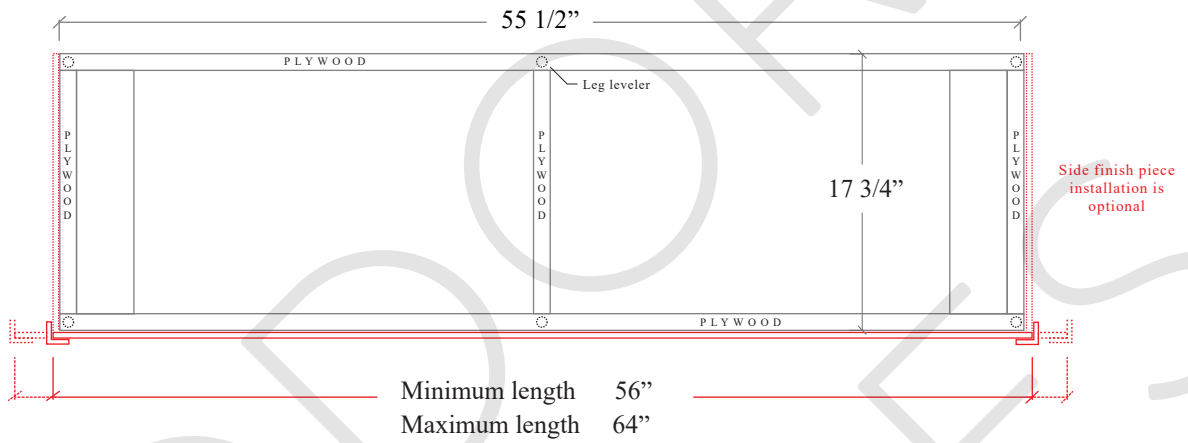


Secure vanity to studs within 4"  
← from side gables.

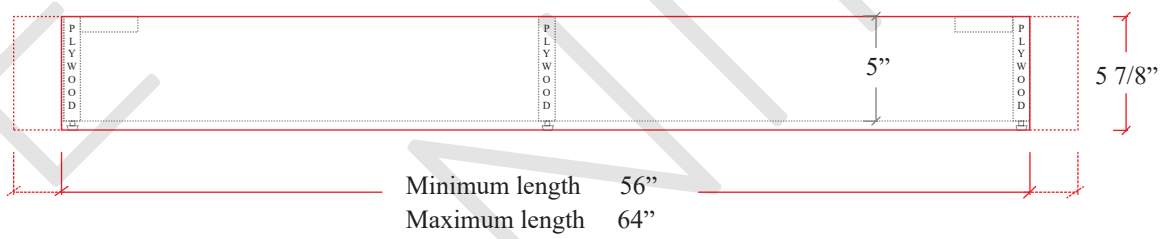
# 60" TOE KICK

- Finish piece (1/4" thick)
- Plywood base (3/4" thick)

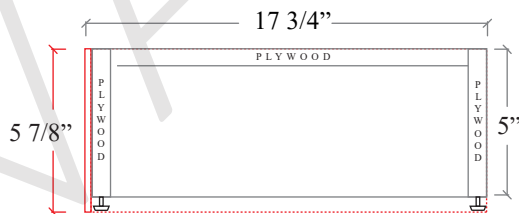
TOP VIEW



FRONT VIEW



SIDE VIEW



Leg levelers add 1/4" - 7/8"  
to plywood base height

TEODOR VANITIES®

1-888-807-2323 | info@thevanitystore.com