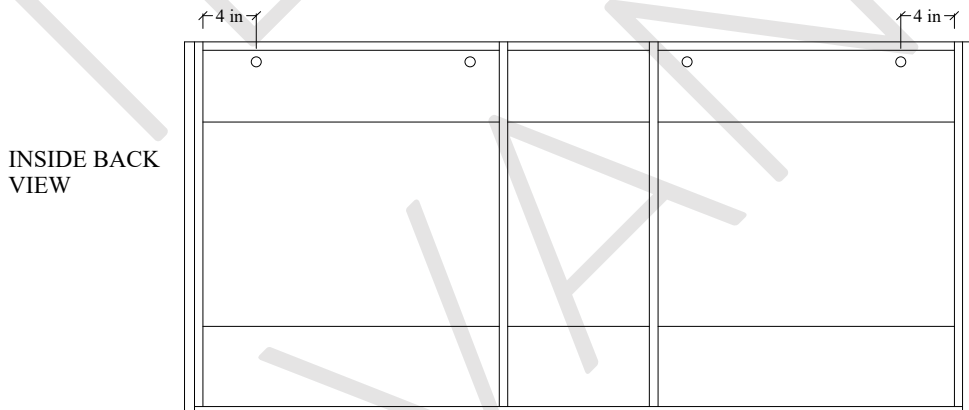
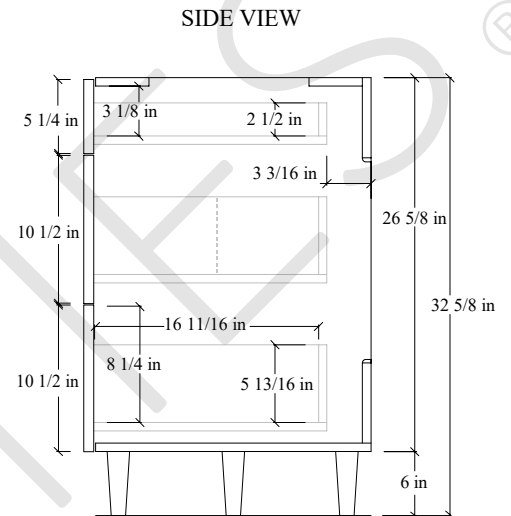
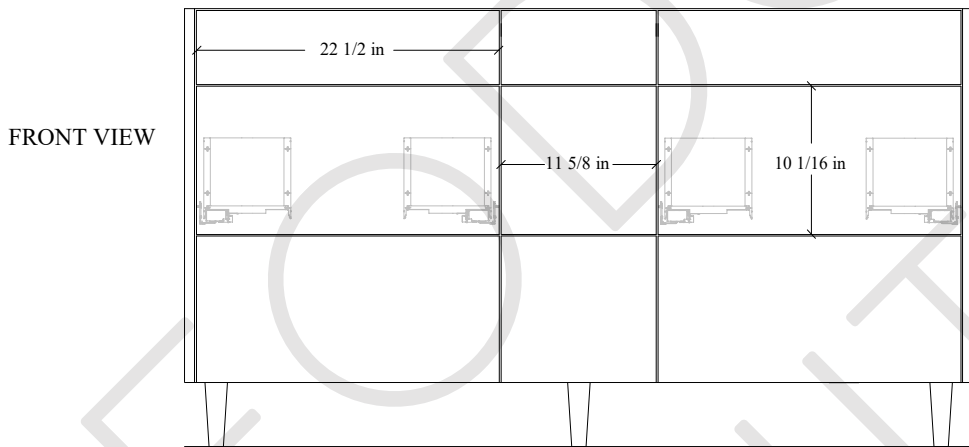
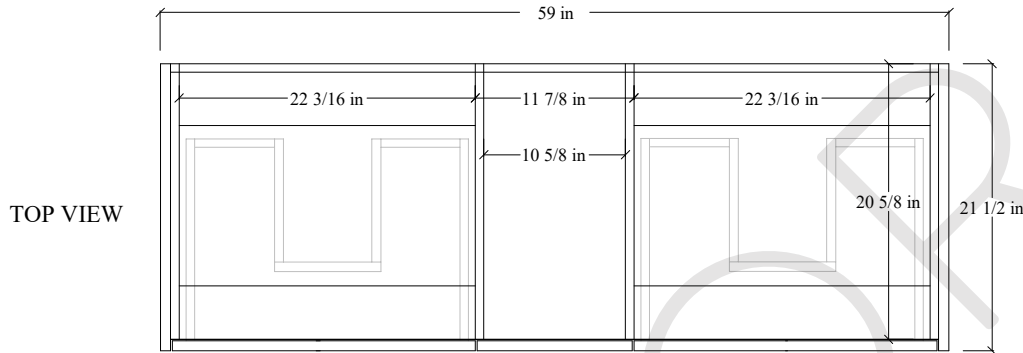


60" ASHER FREE STANDING VANITY DOUBLE SINK

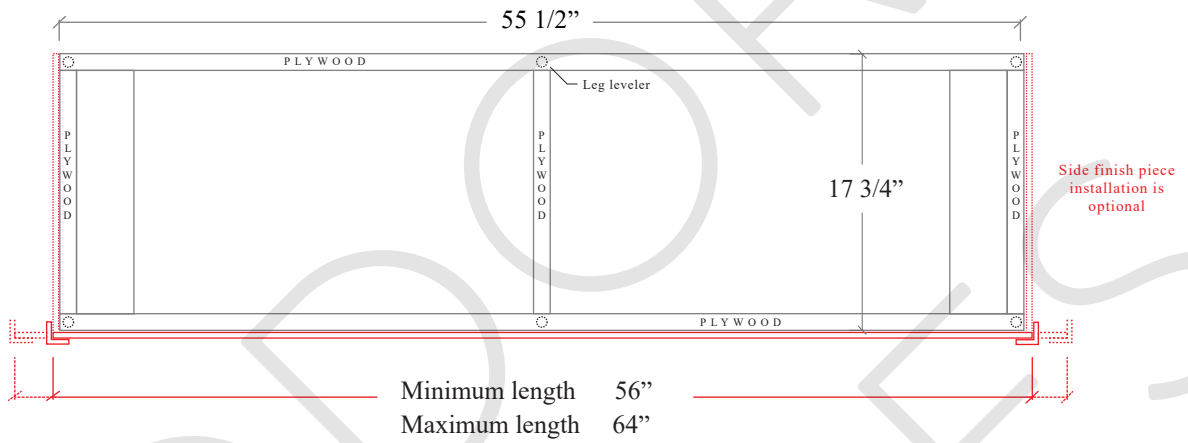


Secure vanity to studs within 4"
← from side gables.

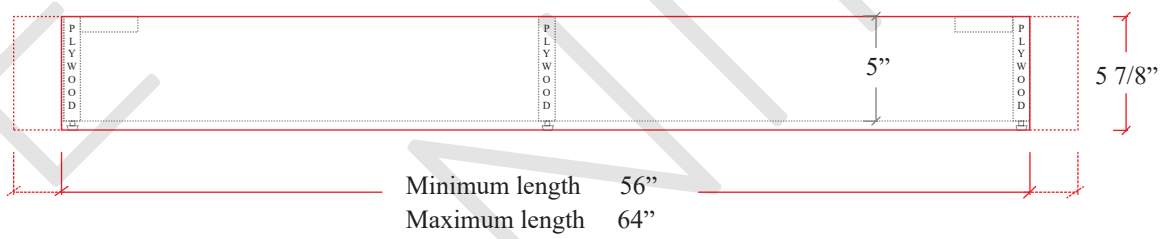
60" TOE KICK

- Finish piece (1/4" thick)
- Plywood base (3/4" thick)

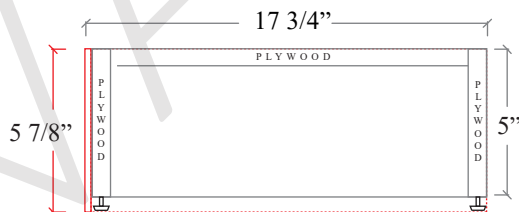
TOP VIEW



FRONT VIEW



SIDE VIEW



Leg levelers add 1/4" - 7/8" to plywood base height

TEODOR VANITIES®

1-888-807-2323 | info@thevanitystore.com