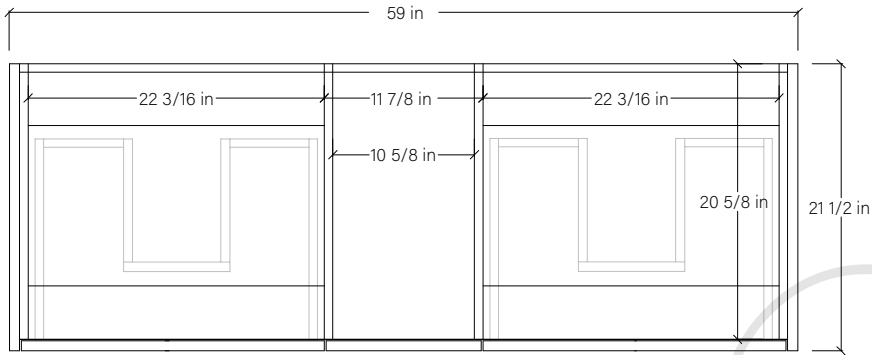
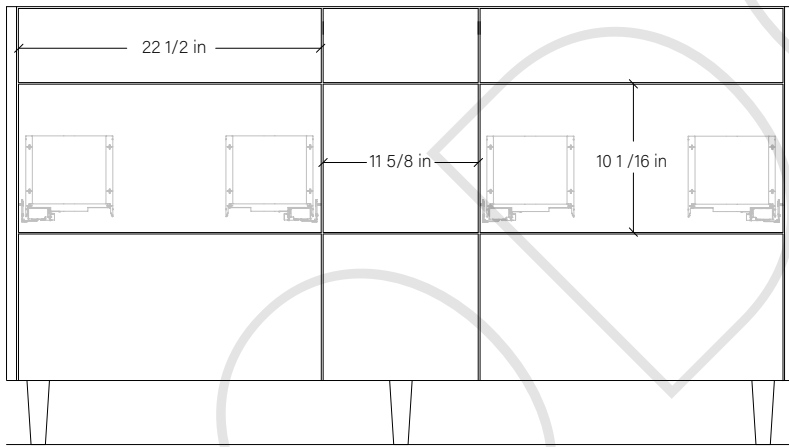


60" ASHER FREE STANDING VANITY DOUBLE SINK

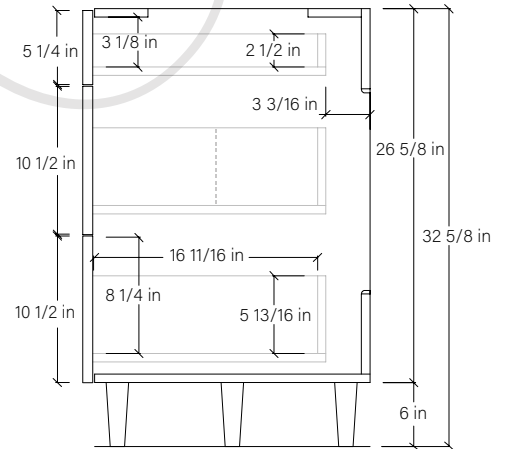
TOP VIEW



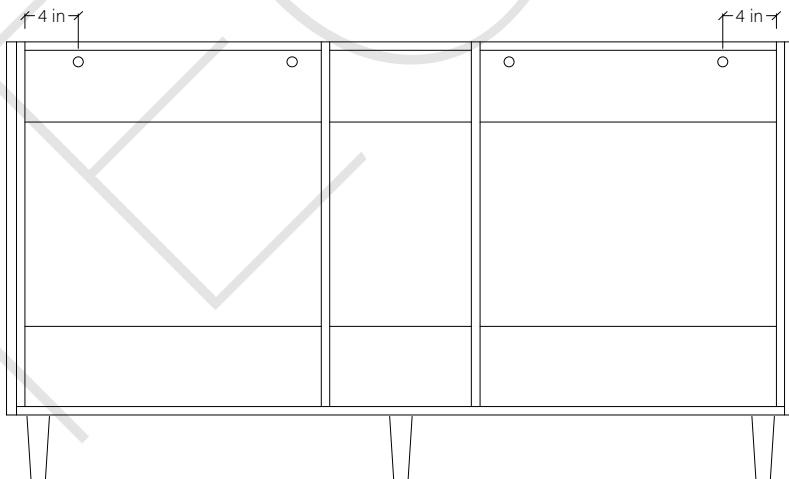
FRONT VIEW



SIDE VIEW



INSIDE BACK VIEW



Secure vanity to studs within 4" ← from side gables.

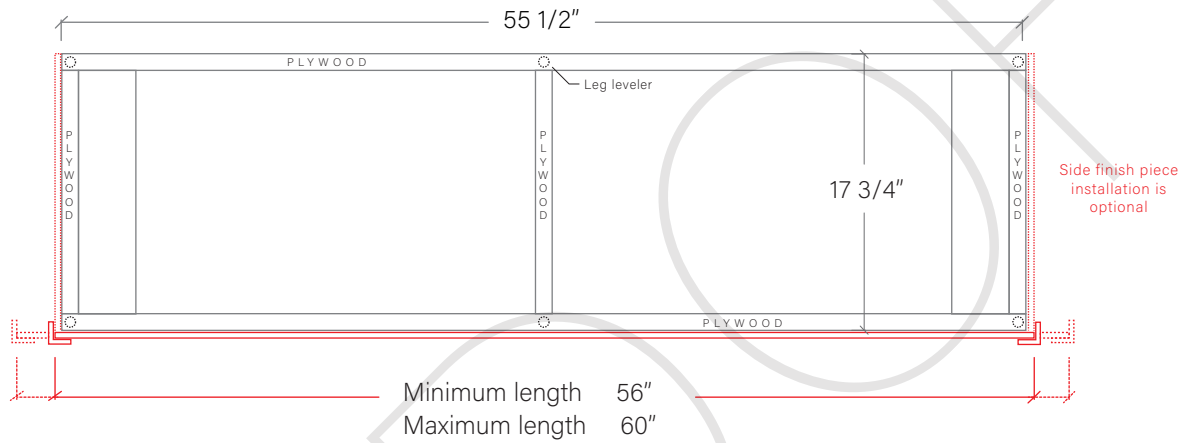
TEODOR

1-888-807-2323 | info@teodorvanities.com

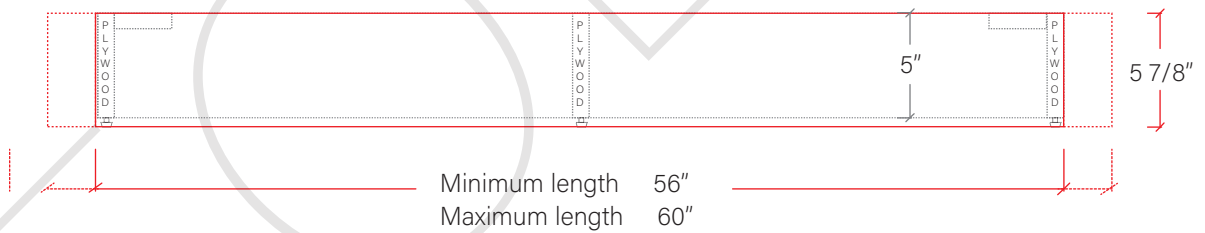
60" TOE KICK

- Finish piece (1/4" thick)
- Plywood base (3/4" thick)

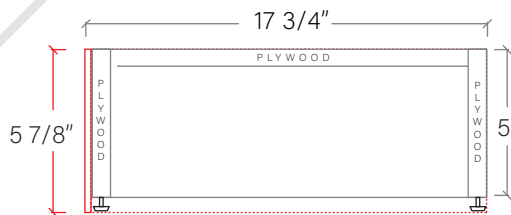
TOP VIEW



FRONT VIEW



SIDE VIEW

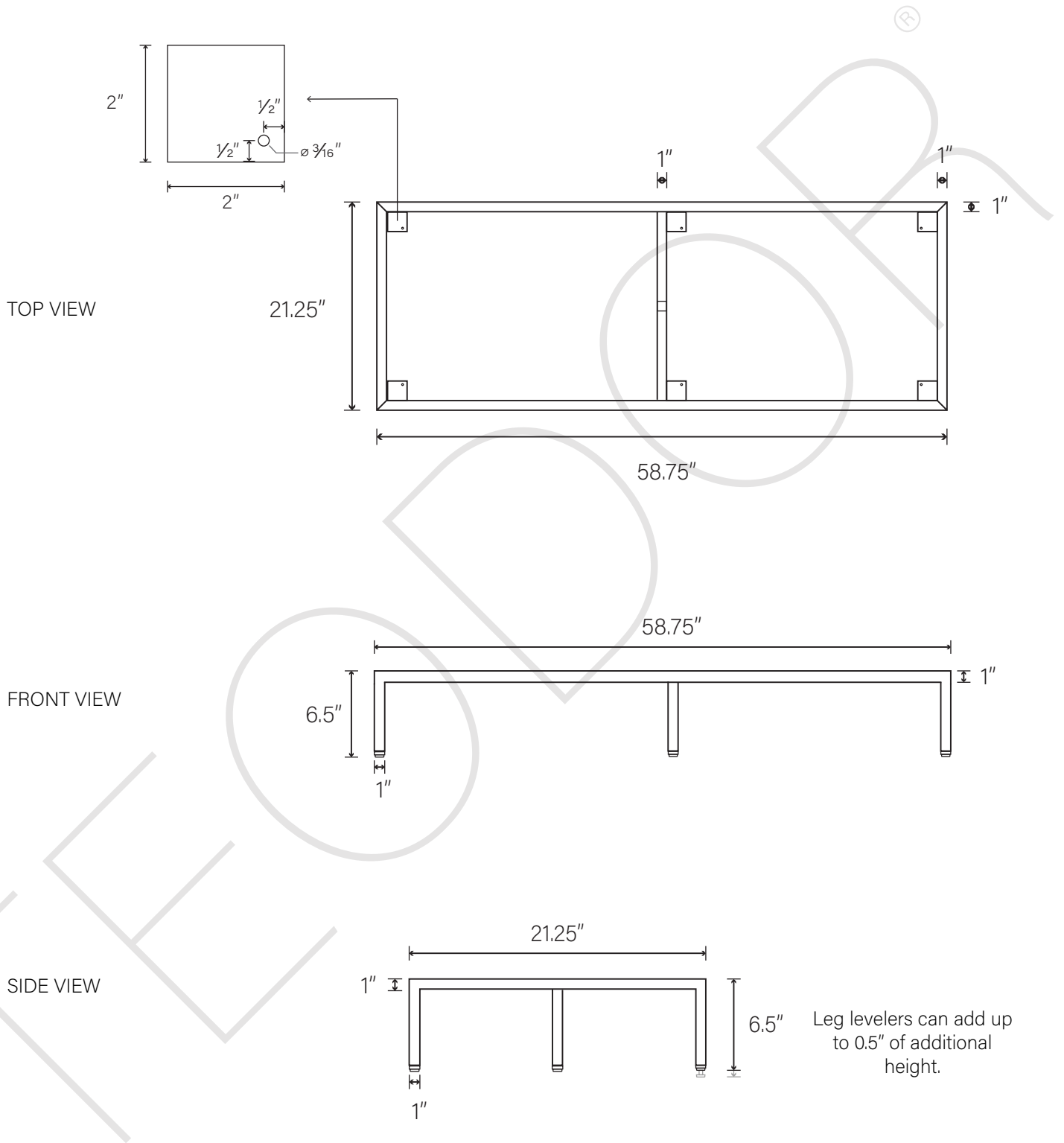


Leg levelers add 1/4" - 7/8" to plywood base height

TEODOR

1-888-807-2323 | info@teodorvanities.com

60" METAL BASE



TEODOR

1-888-807-2323 | info@teodorvanities.com