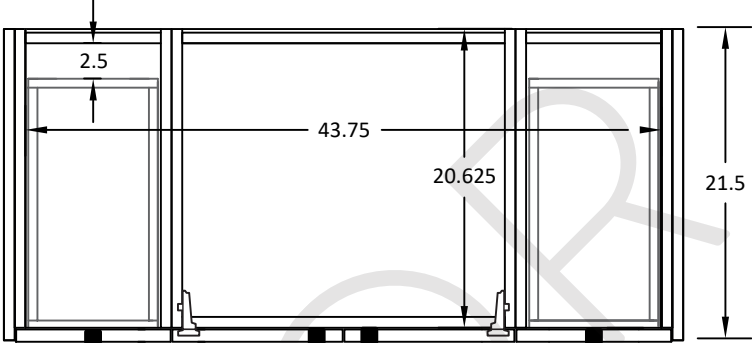
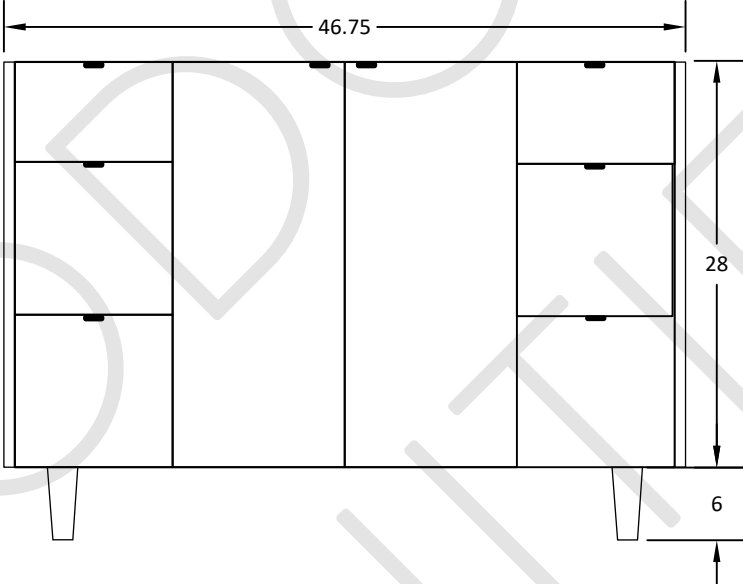


48" ASHBURY FREE STANDING VANITY

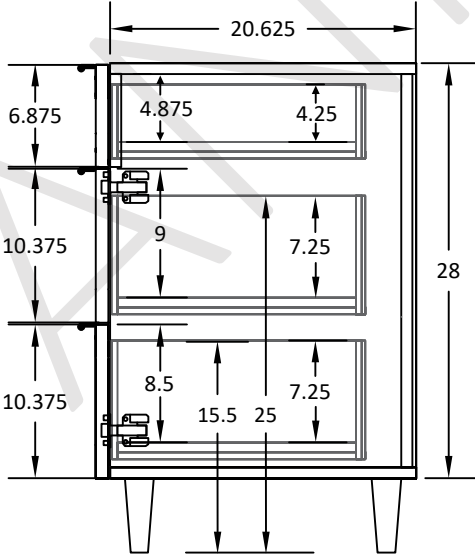
TOP VIEW



FRONT VIEW



SIDE VIEW



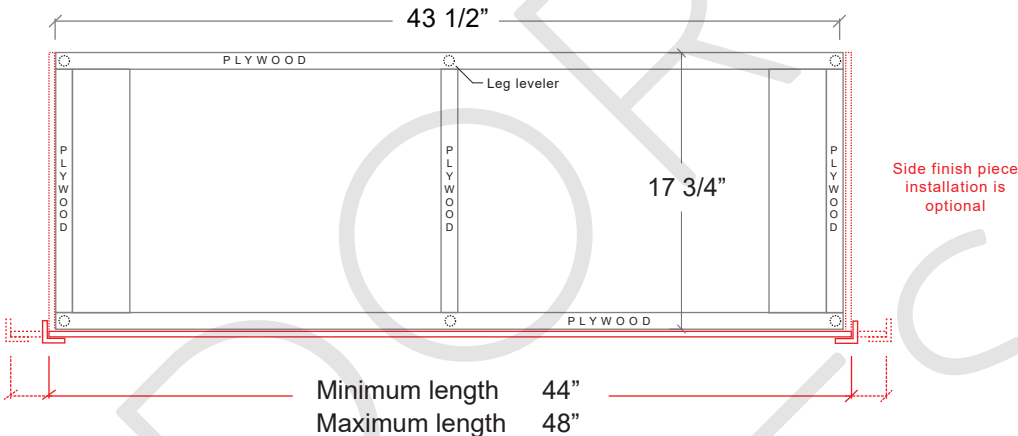
TEODOR VANITIES®

1-888-807-2323 | info@thevanitystore.com

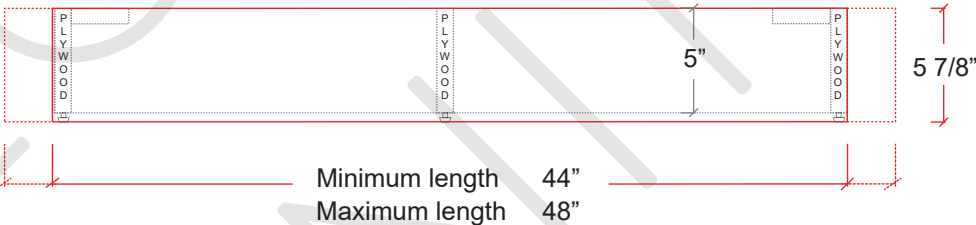
48" TOE KICK

- Finish piece (1/4" thick)
- Plywood base (3/4" thick)

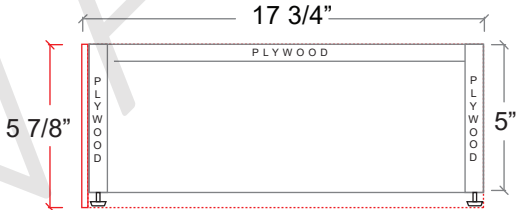
TOP VIEW



FRONT VIEW



SIDE VIEW



Leg levelers add 1/4" - 7/8" to plywood base height