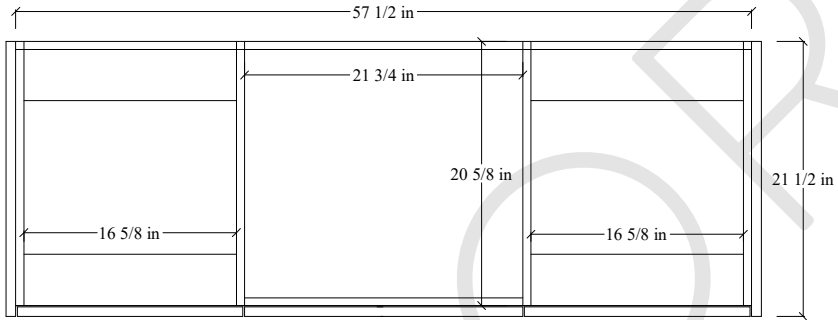
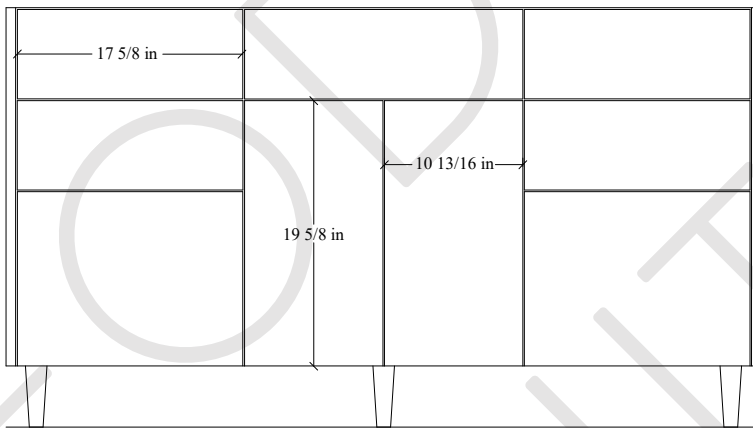


60" AUSTIN FREE STANDING VANITY SINGLE SINK

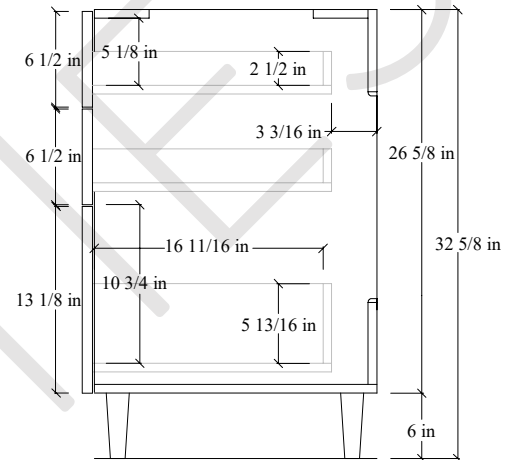
TOP VIEW



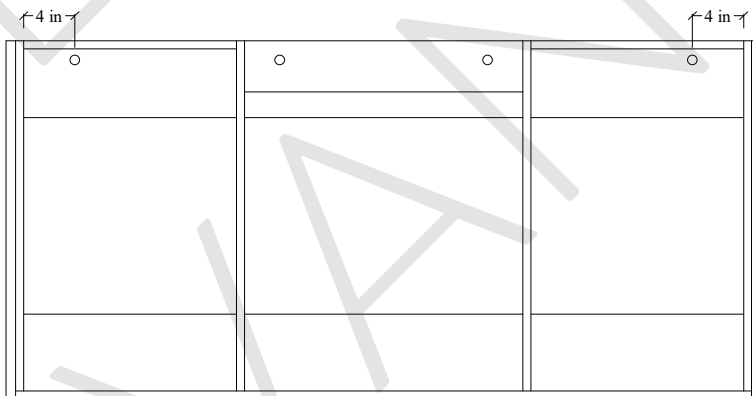
FRONT VIEW



SIDE VIEW



INSIDE BACK VIEW

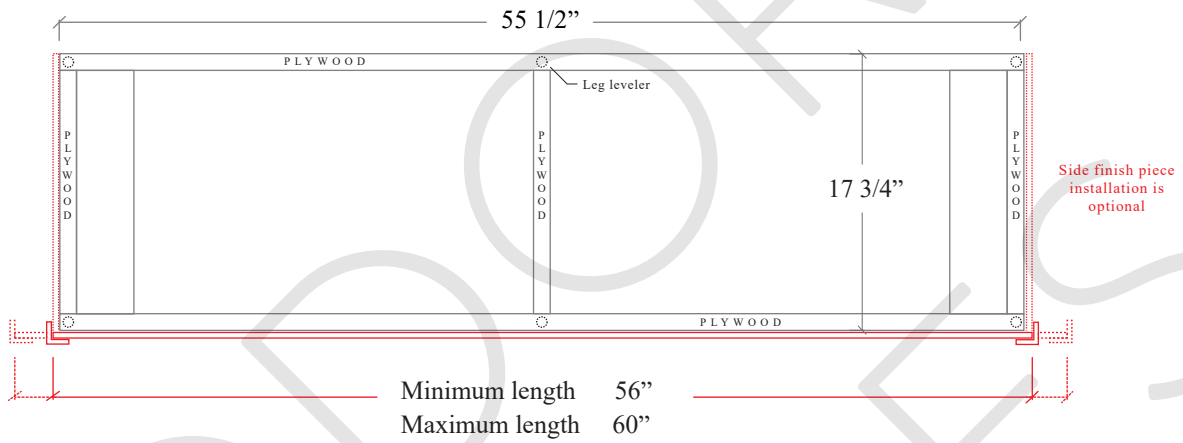


← Secure vanity to studs within 4" from side gables.

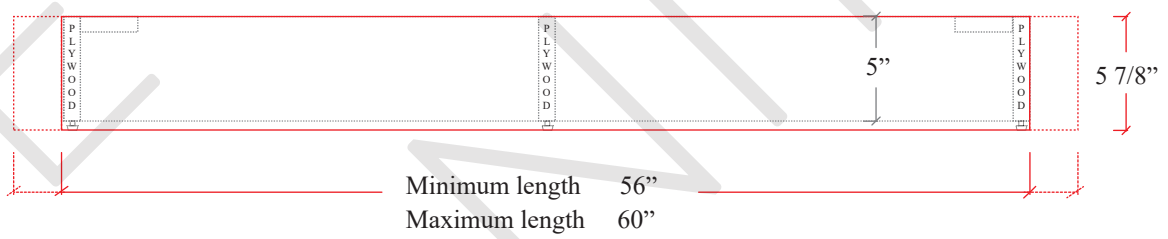
60" TOE KICK

- Finish piece (1/4" thick)
- Plywood base (3/4" thick)

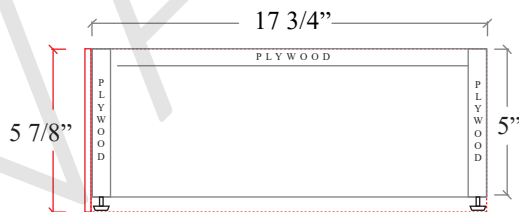
TOP VIEW



FRONT VIEW



SIDE VIEW



Leg levelers add 1/4" - 7/8" to plywood base height

TEODOR VANITIES®

1-888-807-2323 | info@thevanitystore.com