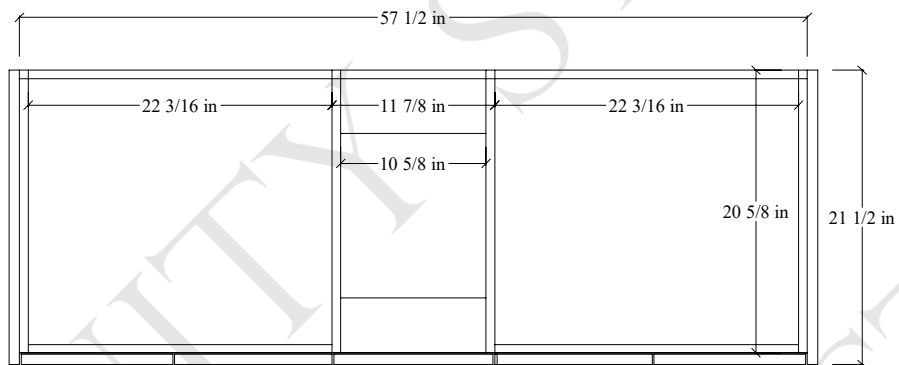
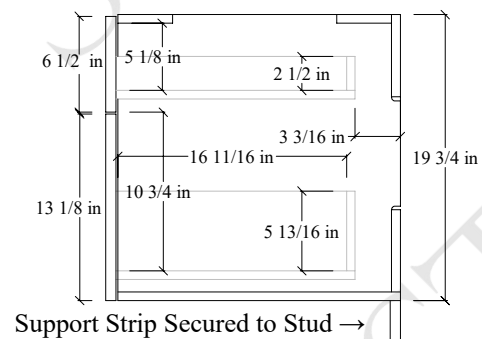
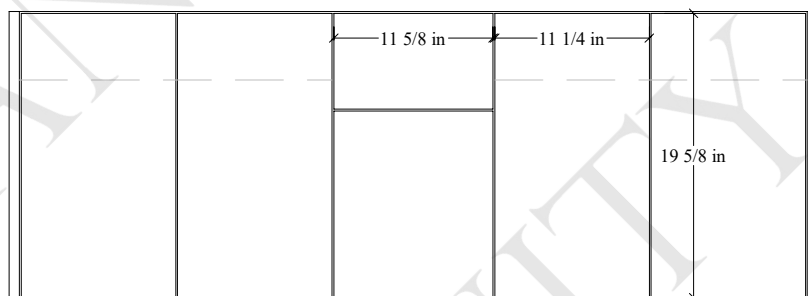


# 60D" Austin Wall Mount Vanity

TOP VIEW



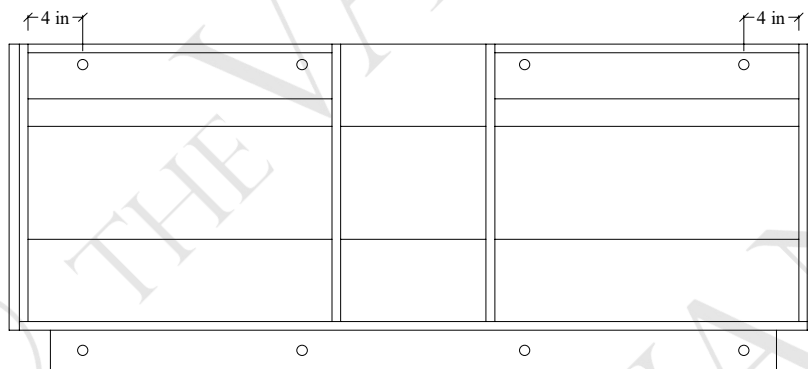
FRONT VIEW



Support Strip Secured to Stud →

Secure vanity to studs within 4" from side gables →

INSIDE BACK VIEW



← Support Strip Secured to Stud