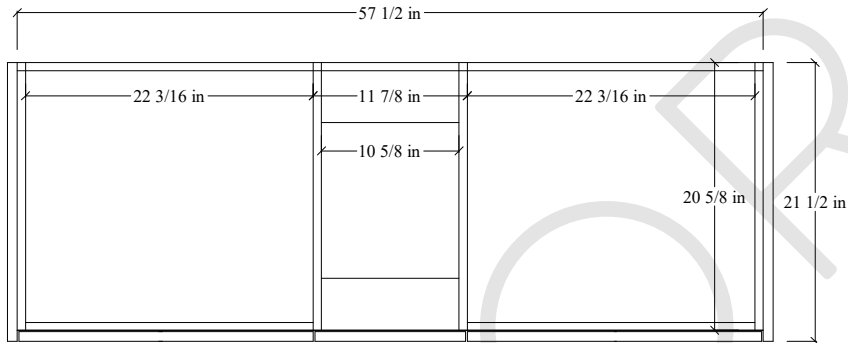
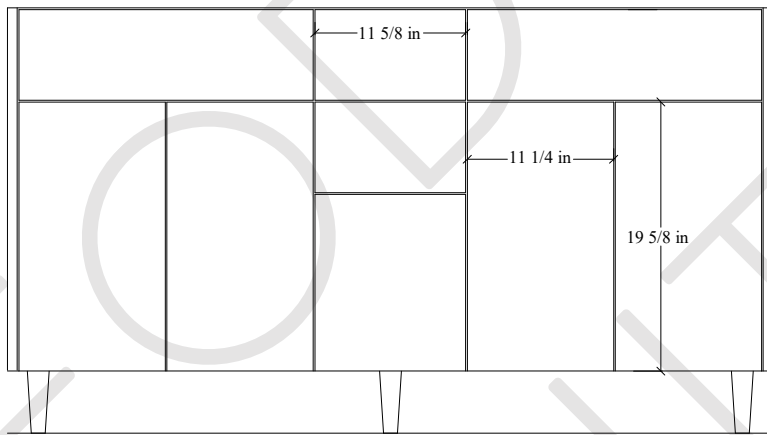


60" AUSTIN FREE STANDING VANITY DOUBLE SINK

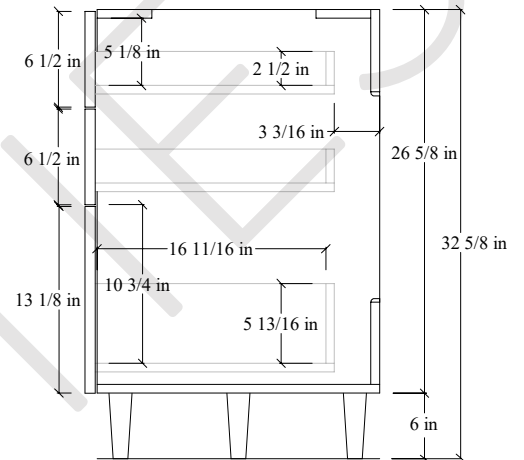
TOP VIEW



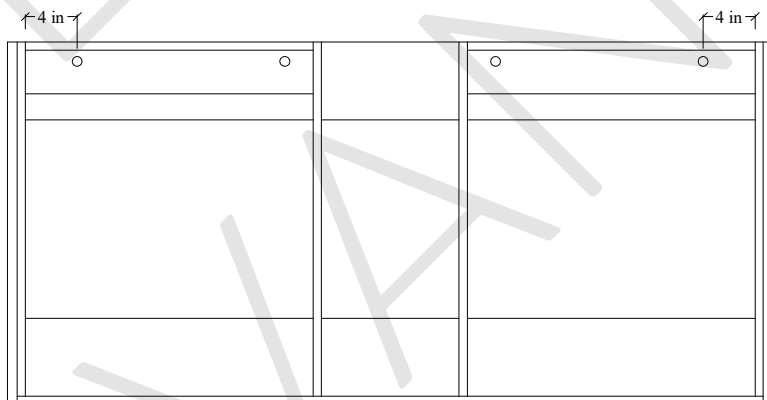
FRONT VIEW



SIDE VIEW



INSIDE BACK VIEW





← Secure vanity to studs within 4" from side gables.

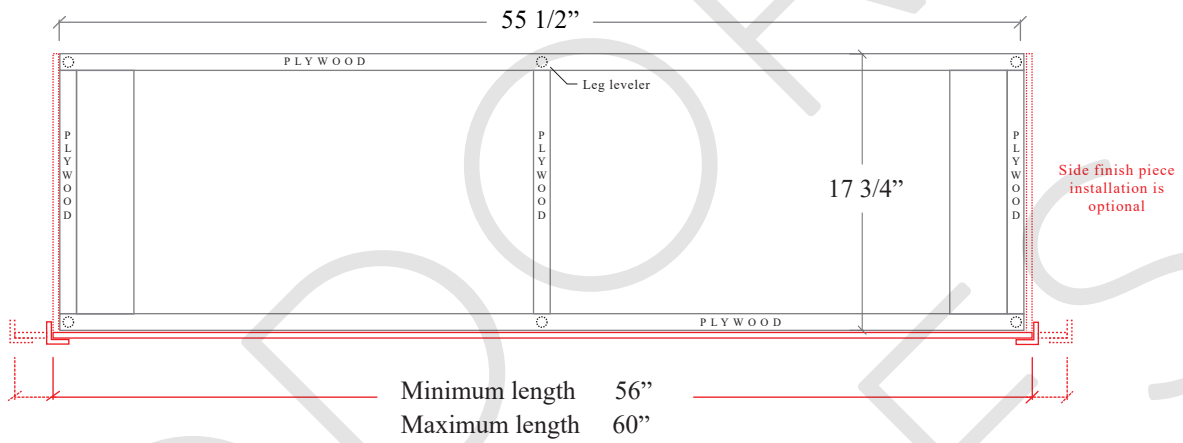
TEODOR VANITIES®

1-888-807-2323 | info@thevanitystore.com

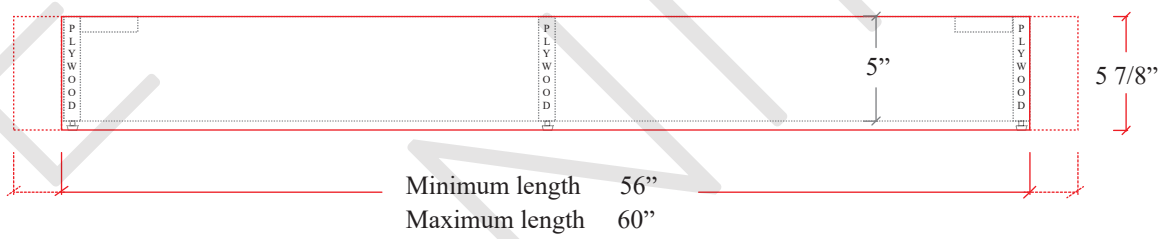
60" TOE KICK

-  Finish piece (1/4" thick)
-  Plywood base (3/4" thick)

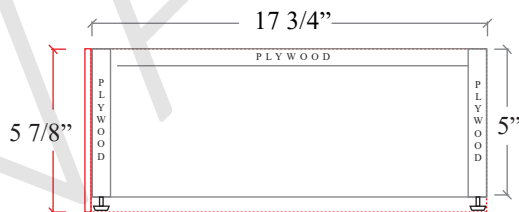
TOP VIEW



FRONT VIEW



SIDE VIEW



Leg levelers add 1/4" - 7/8"
to plywood base height

TEODOR VANITIES®

1-888-807-2323 | info@thevanitystore.com