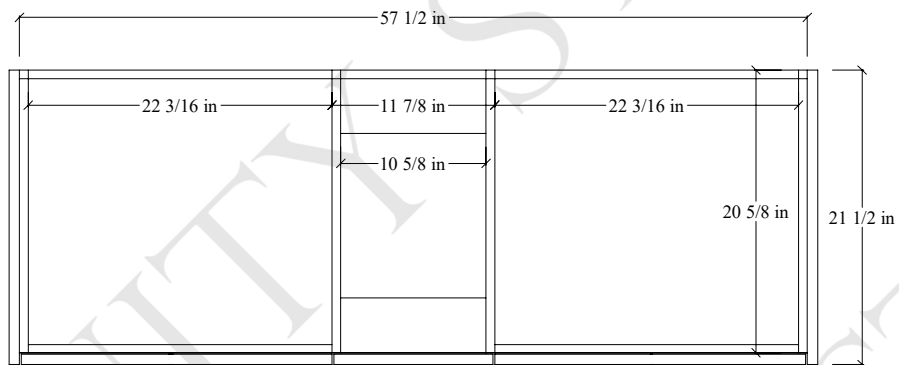
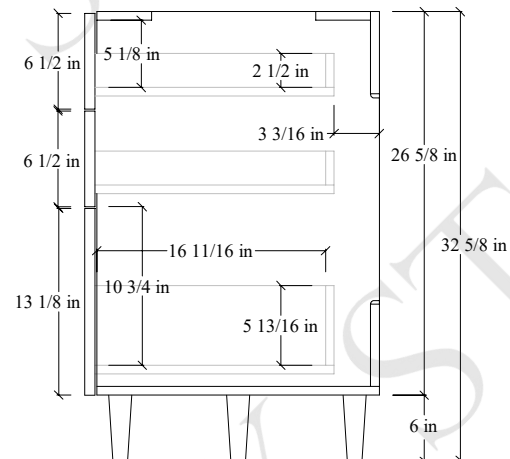
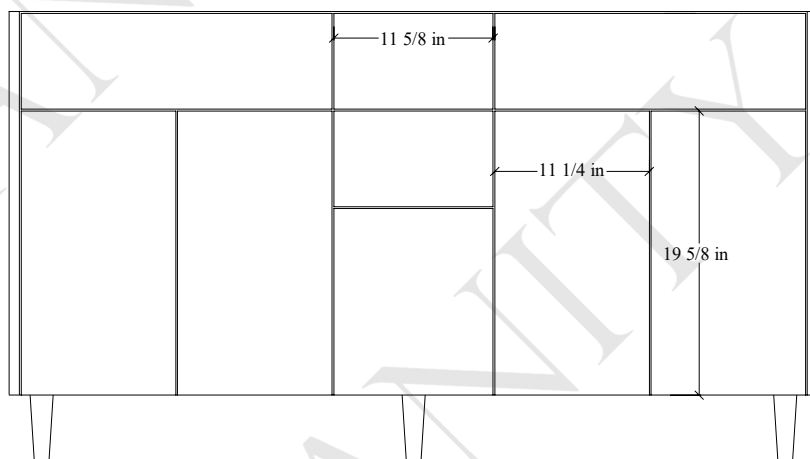


# 60D" Austin Free Standing Vanity

TOP VIEW



FRONT VIEW



SIDE VIEW

Secure vanity to studs within 4" from side gables →

INSIDE BACK VIEW

