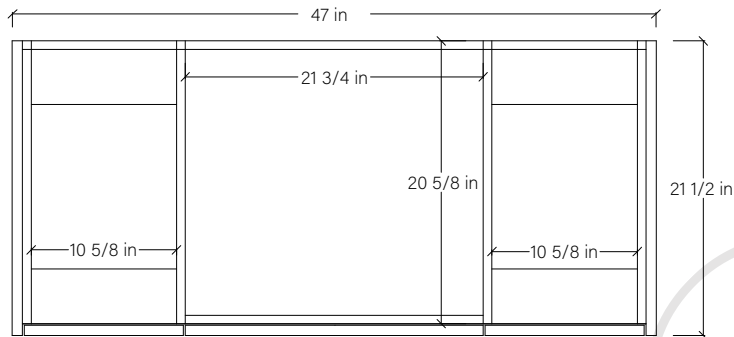
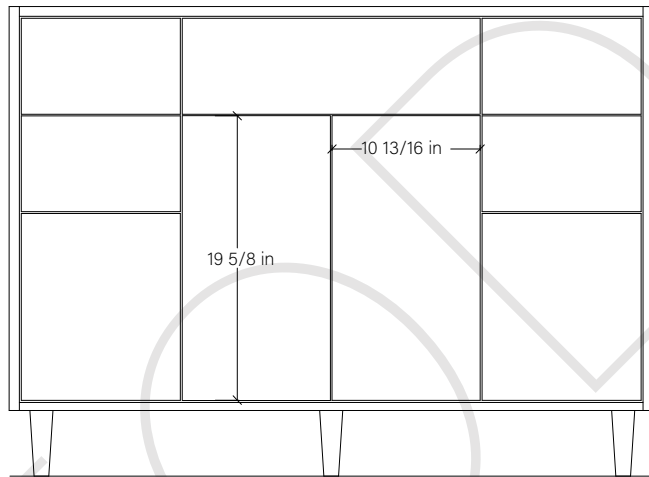


48" SIDNEY FREE STANDING VANITY

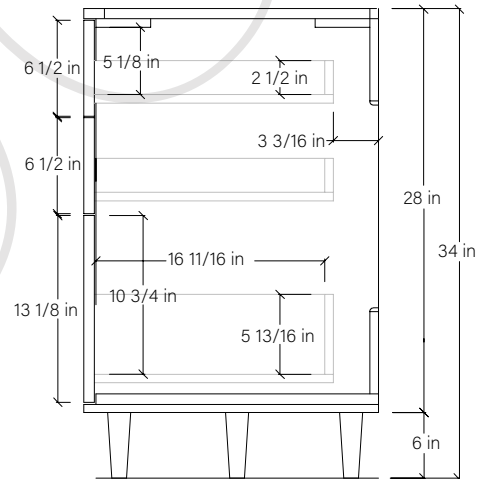
TOP VIEW



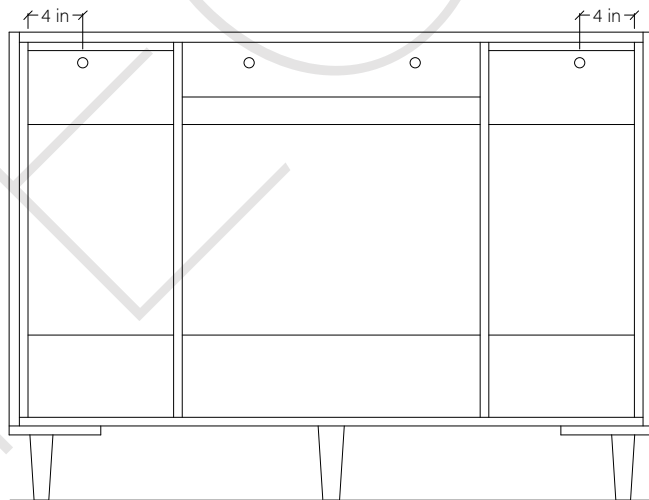
FRONT VIEW



SIDE VIEW



INSIDE BACK VIEW





← Secure vanity to studs within 4" from side gables.

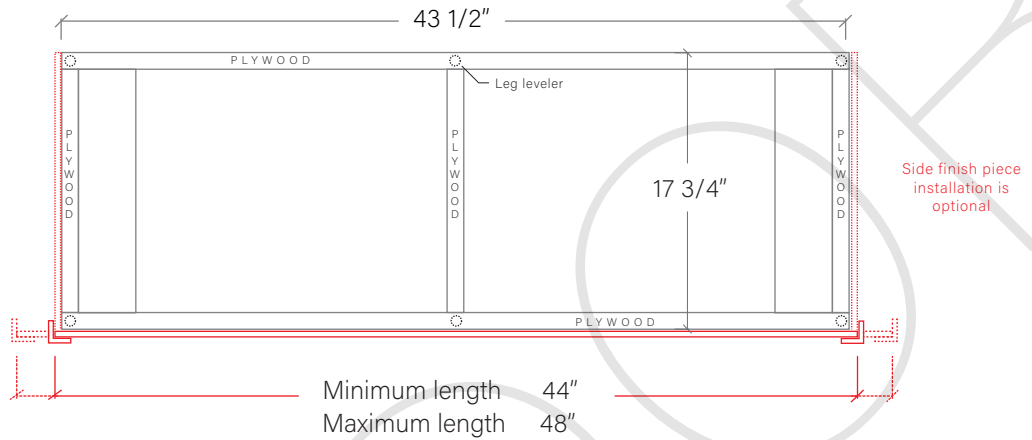
TEODOR

1-888-807-2323 | info@teodorvanities.com

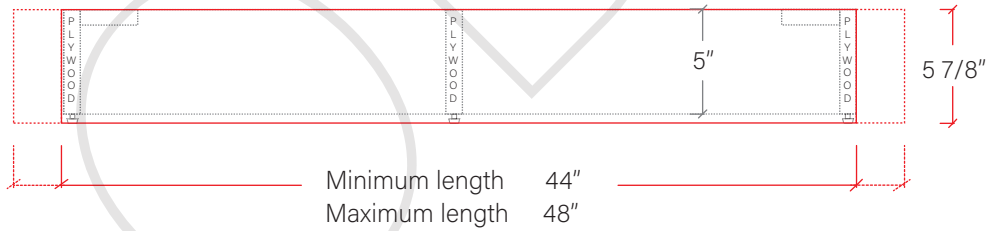
48" TOE KICK

-  Finish piece (1/4" thick)
-  Plywood base (3/4" thick)

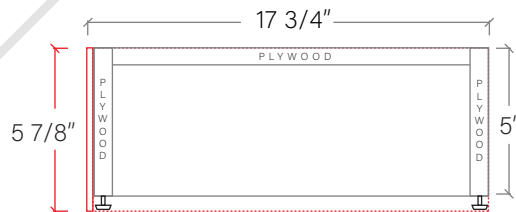
TOP VIEW



FRONT VIEW



SIDE VIEW



Leg levelers add 1/4" - 7/8"
to plywood base height

TEODOR

1-888-807-2323 | info@teodorvanities.com