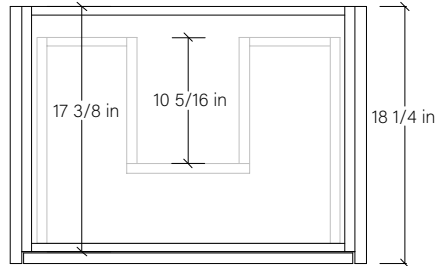


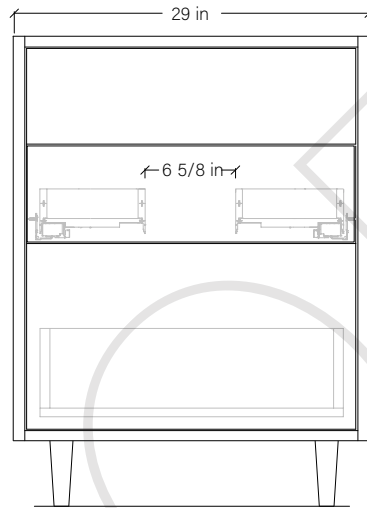
30" SIDNEY SLIM FREE STANDING VANITY



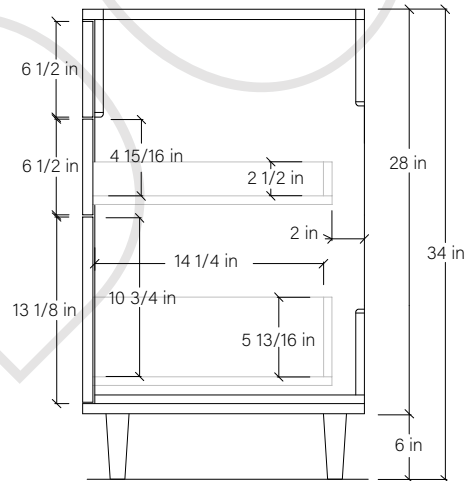
TOP VIEW



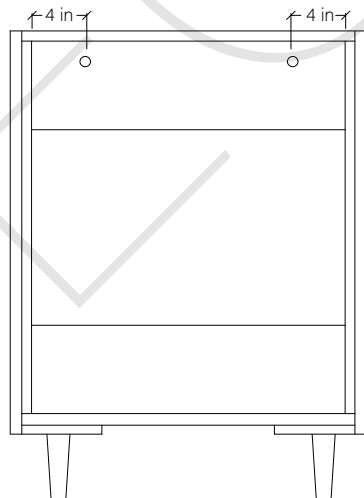
FRONT VIEW



SIDE VIEW



INSIDE BACK VIEW





← Secure vanity to studs within 4" from side gables.

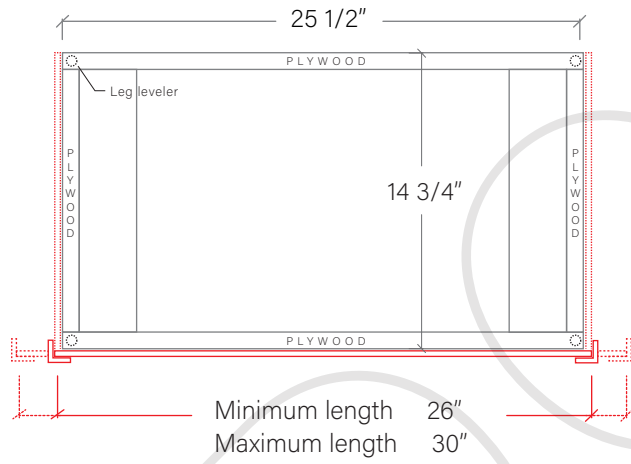
TEODOR

1-888-807-2323 | info@teodorvanities.com

30" SLIM TOE KICK

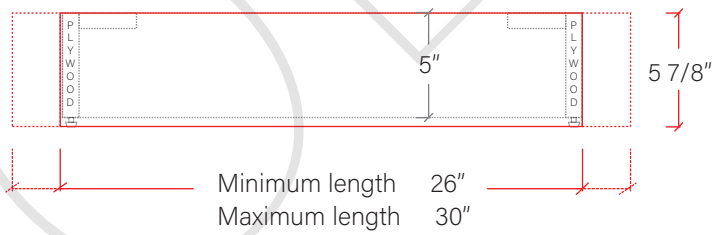
-  Finish piece (1/4" thick)
-  Plywood base (3/4" thick)

TOP VIEW

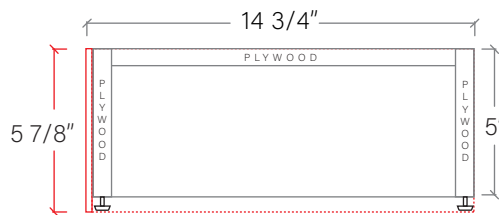


Side finish piece installation is optional

FRONT VIEW



SIDE VIEW



Leg levelers add 1/4" - 7/8" to plywood base height

TEODOR

1-888-807-2323 | info@teodorvanities.com