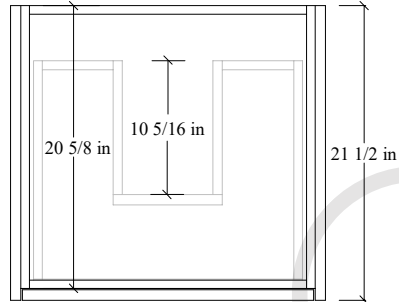
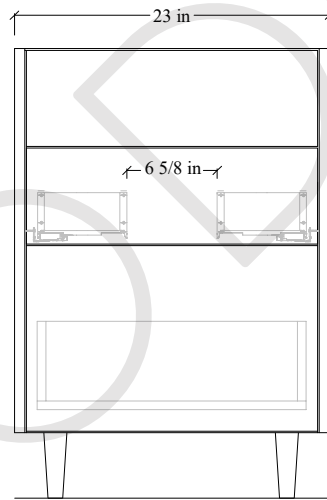


# 24" AUSTIN FREE STANDING VANITY

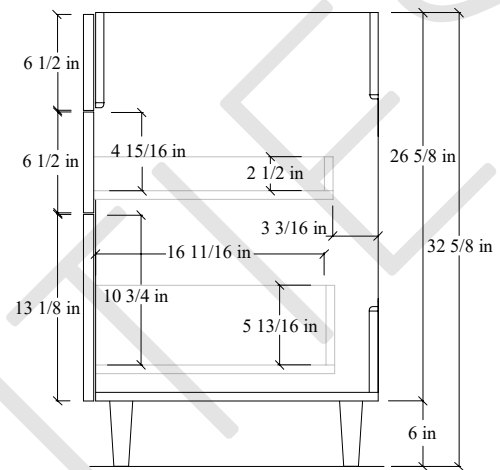
TOP VIEW



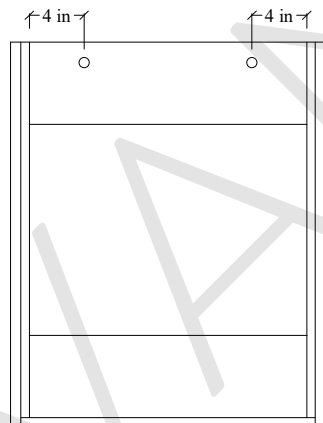
FRONT VIEW



SIDE VIEW



INSIDE BACK VIEW

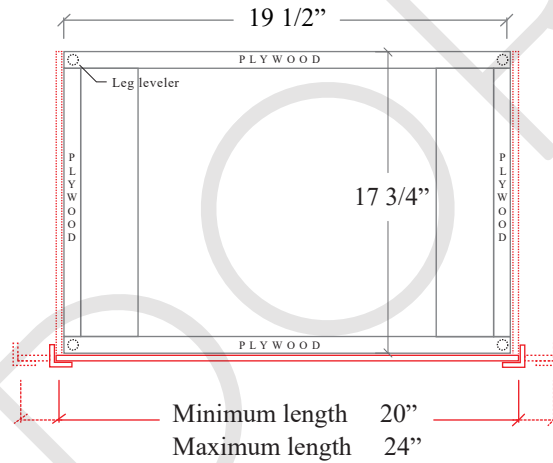


Secure vanity to studs within 4" from side gables.

# 24" TOE KICK

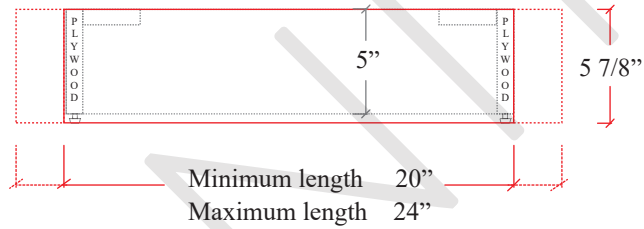
- Finish piece (1/4" thick)
- Plywood base (3/4" thick)

TOP VIEW

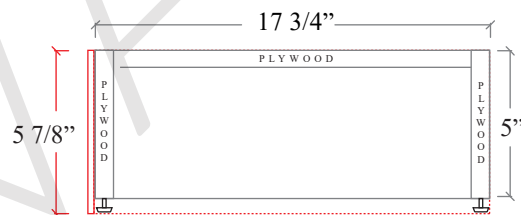


Side finish piece installation is optional

FRONT VIEW



SIDE VIEW



Leg levelers add 1/4" - 7/8" to plywood base height

TEODOR VANITIES®

1-888-807-2323 | info@thevanitystore.com